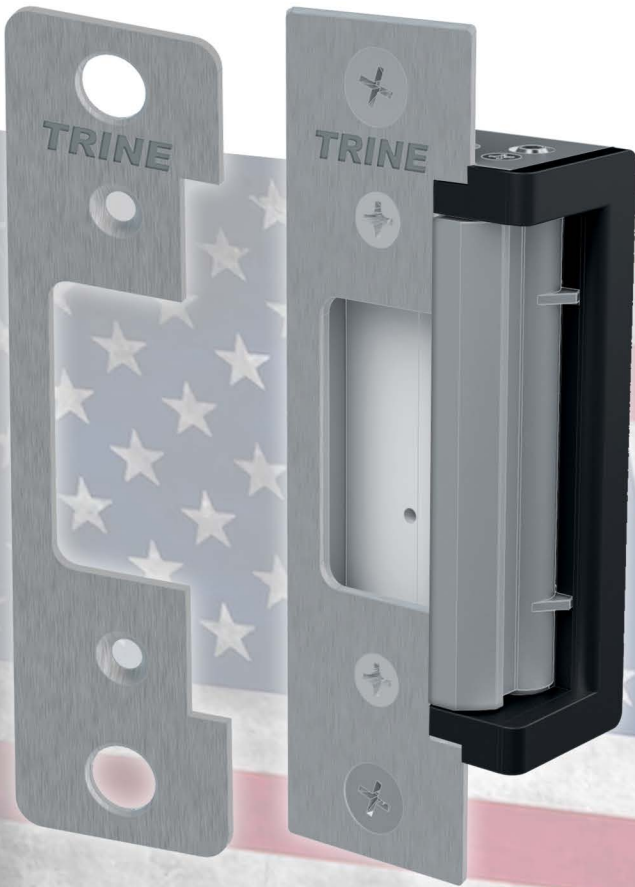


BUILT IN AMERICA **BASED IN AMERICA** **BUY AMERICA**

BUY AMERICAN ACT (BAA) COMPLIANT

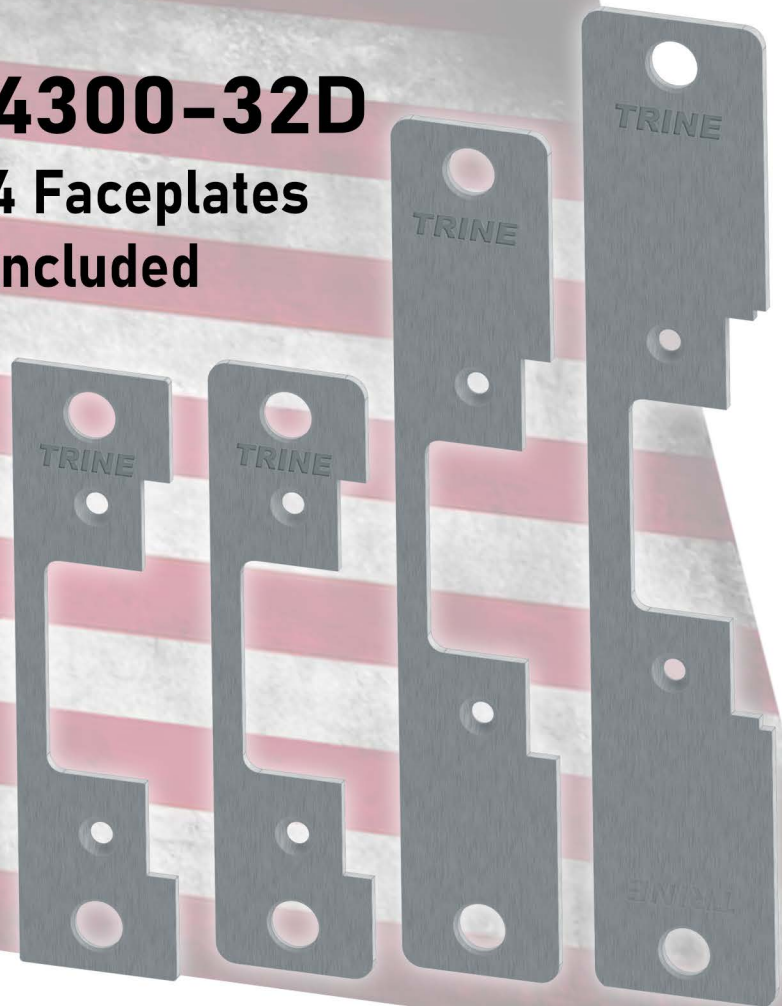


4300CC-32D

2 Faceplates Included (as shown)

4300-32D

4 Faceplates Included



Use with Cylindrical Locks & Deadlatches

- **1/4" horizontal adjustment**
- **Grade 1 electric strike:**
 - 500,000+ Life Cycles
 - 1,500 lb Holding Force
 - 70 lb Dynamic Force
- **Patented Weather Resistant Latch Bolt Monitoring**

1034
BURGLARY
RATED

294
RATED
(6th edition)



Available Finishes:

- 32D (Satin Stainless Steel - BHMA630)
- ALUM (Aluminum Powder Coat)
- BLK (Black Powder Coat)
- DKBZ (Dark Bronze Powder Coat)

Horizontal Adjustment



- 1/4" horizontal adjustment
- Easier to install
- More options in the field

Trim skirt included



Latch Bolt Monitoring



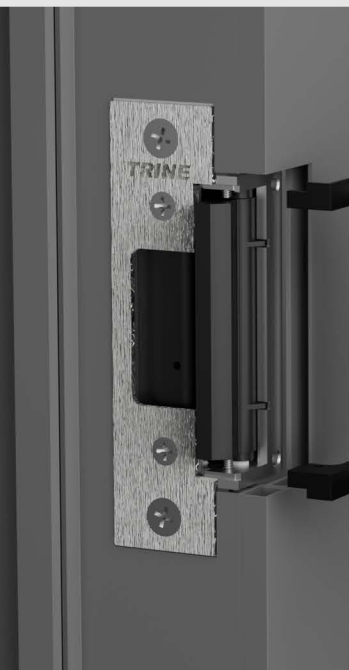
- Patented Weather resistant switch system
- Lasts millions of cycles

-- or --

THE COMPETITORS
INFERIOR MICROSWITCHES
(low life cycles/not water resistant)



Ramp Extensions



- 3 sizes available
1/4", 1/2", and 1"

- Stackable to fit any width.

Item#

4300RX-25 | 4300RX-50 | 4300RX-100

1-1/16" Total Backset

